

Round or Square Element 3" Wall Wash Housing

E3_W-L_ 1.3

VISUAL COMFORT & Co.

ARCHITECTURAL COLLECTION

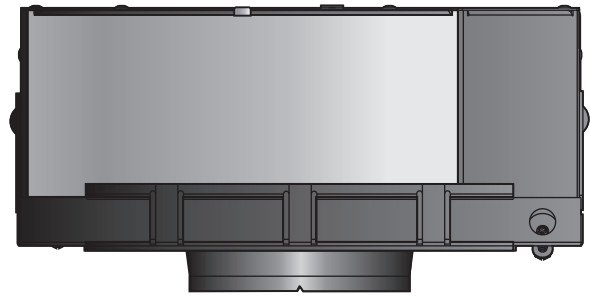
GENERAL PRODUCT INFORMATION:



This product is suitable for indoor locations.

This product can be dimmed with a standard electronic dimmer.

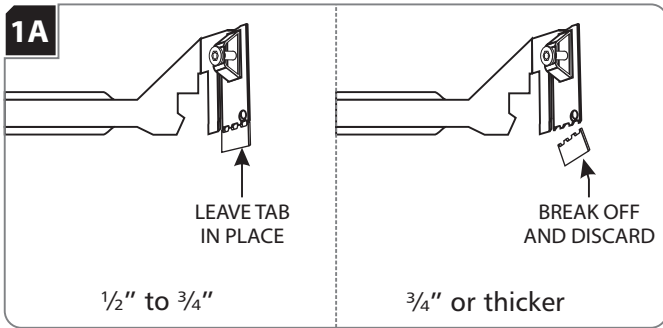
This instruction shows a typical installation.



CAUTION - RISK OF FIRE
 This product must be installed in accordance with the applicable installation code by a person familiar with the construction and operation of the product and the hazards involved.
 Use minimum 90°c supply conductors.

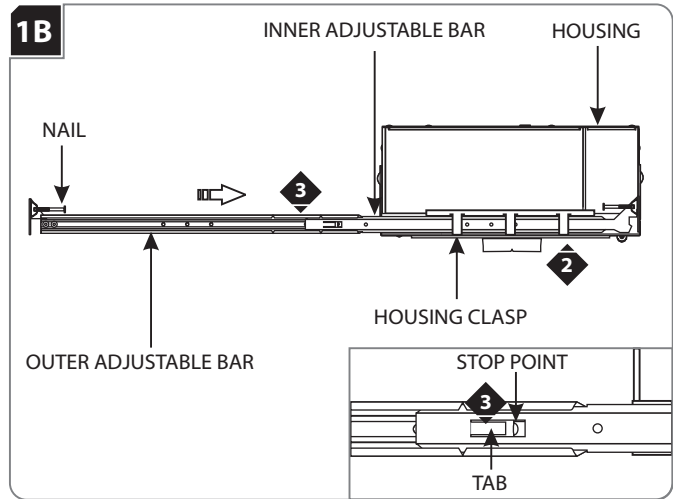
SAVE THESE INSTRUCTIONS!

Install the Housing with Adjustable Bars

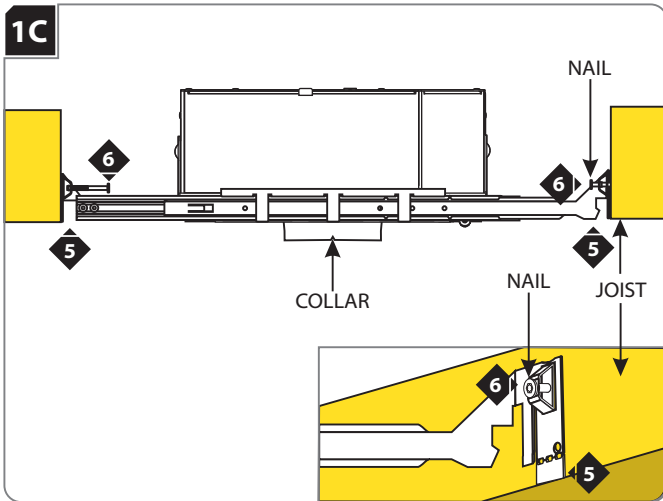


NOTE: Skip this section if installing the housing with butterfly brackets.

- 1** Keep Tab for ceiling $\frac{1}{2}''$ to $\frac{3}{4}''$ thick. When using adjustable hanger bars with $\frac{1}{2}''$ to $\frac{3}{4}''$ thick ceilings, leave the tab of the hanger bars in place. **Break off Tab for ceiling $\frac{3}{4}''$ or thicker.** When using adjustable hanger bars with $\frac{3}{4}''$ or thicker ceilings, remove the tab by bending it at the perforation.

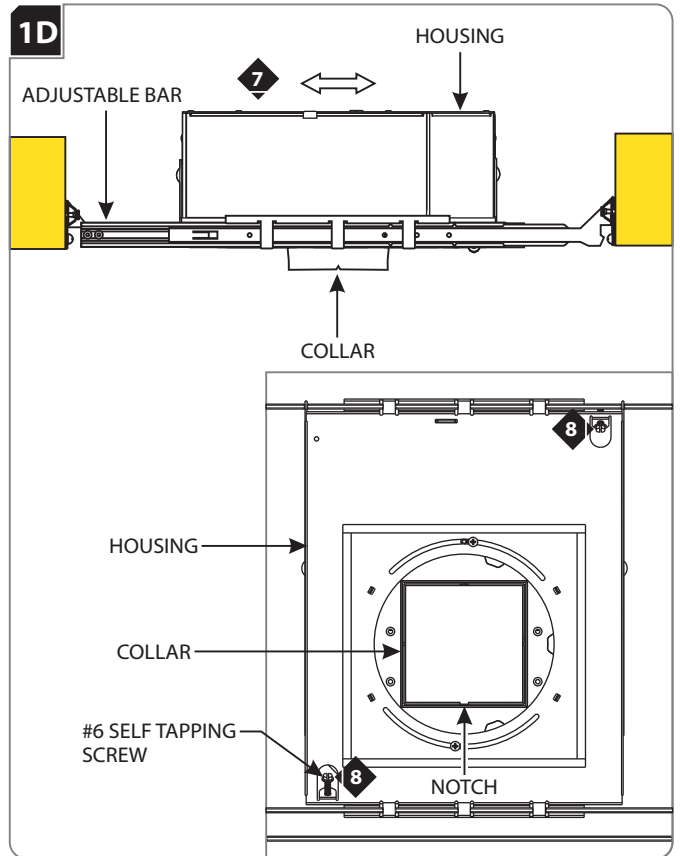


- 2** Slide the inner adjustable bar completely through the three housing clasps. Make sure the nail is on top.
- 3** Slide and push the outer adjustable bar completely onto the inner adjustable bar so that the tab clicks into place behind the stop point. This will prevent the adjustable bars from coming apart.
- 4** Repeat steps 2 & 3 for the other side of the housing.



NOTE: The adjustable bars can be mounted to joists that are spaced 16" - 24" apart.

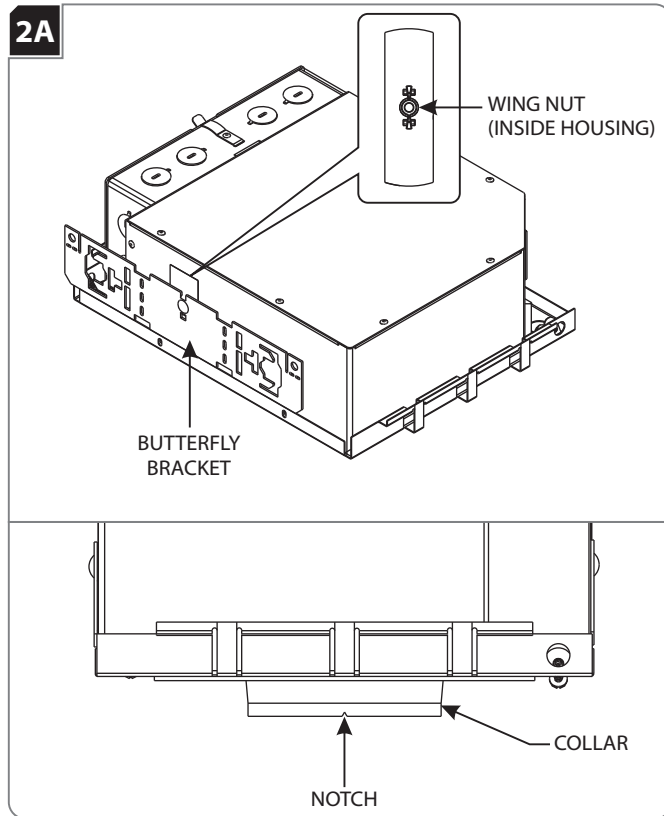
- ◆ 5 Align the bottom of the end plates with the bottom of the ceiling joists.
- ◆ 6 Level the adjustable bars and, with a hammer, tap the nails completely into the joists to secure the adjustable bars.



- ◆ 7 Adjust the collar position (horizontal position) by sliding the housing on adjustable bars.
- ◆ 8 When the desired location is achieved, tighten the two #6 self tapping screws to lock the housing onto the adjustable bars.

NOTE: Notches in the collar can be used to align multiple housings using a laser or string.

Install the Housing with Butterfly Brackets

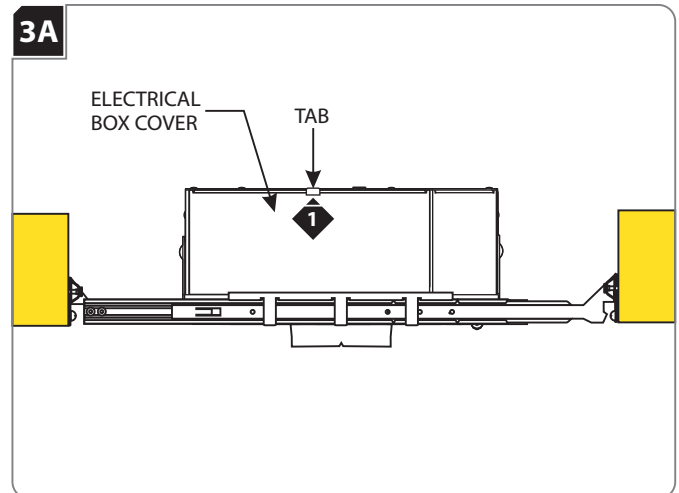


NOTE: Skip this section if installing the housing with adjustable bars.

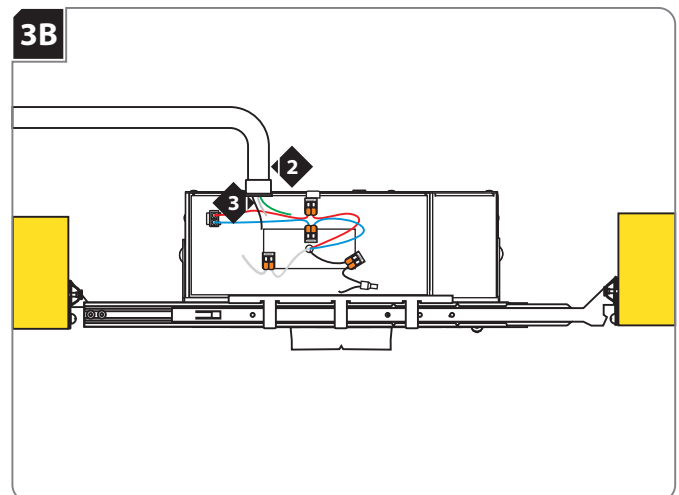
- 1 Slightly loosen the wing nut located inside the housing to slide the butterfly bracket up or down.
- 2 After achieving the proper location, tighten the wing nut to secure the butterfly bracket in place.
- 3 Repeat steps 1 and 2 on for the other butterfly bracket.
- 4 Utilize the butterfly brackets to install the housing in accordance with local electrical codes.

NOTE: Notches in the collar can be used to align multiple housings using a laser or string.

Connect Power to the Housing



- 1 Push the tab on the housing electrical box up and remove the electrical box cover.



- 2 Install the conduit to the housing electrical box.
- 3 Run the power line wires into the housing electrical box.
- 4 Use the appropriate wiring diagram on the following page to wire your fixture accordingly.

NOTE: When a fixture is installed in a location that requires servicing from below the ceiling through the fixture aperture, the branch circuit connections need to be able to be brought out through the aperture. To accomplish this, an NM type cable in conjunction with snap-in/push-in connectors must be used and a 12" service loop must be left available outside of the fixture housing wiring compartment to allow additional branch circuit wiring to be pulled through the snap-in/push-in connector and extended out through the aperture below ceiling level.

WARNING: RISK OF FIRE: When using the housing electrical box for power feed through, use **MAX** 4 - #12 AWG, or 6 - #14 AWG branch circuit wires.

Standard Driver Wiring

ELV/Triac - 3C
0-10V - 3D

Hi-Lume Driver Wiring

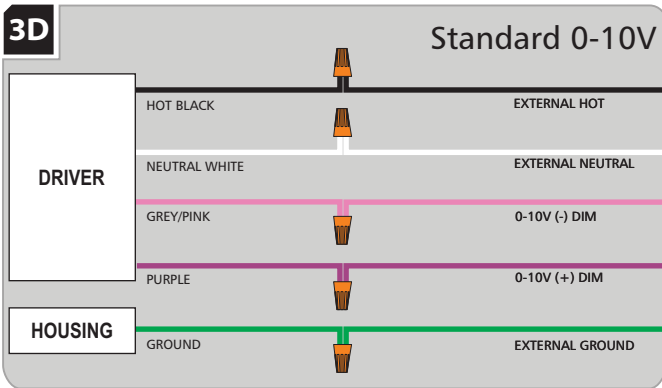
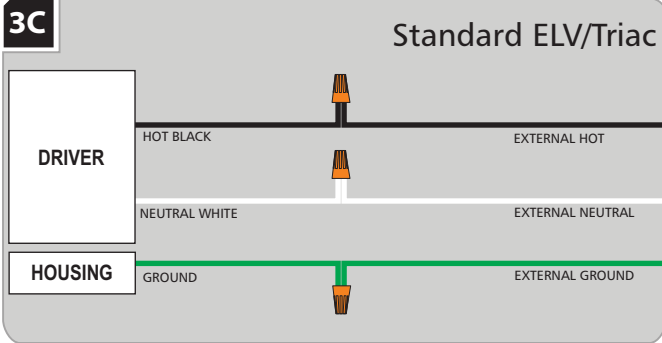
2 Wire - 3E
Ecosystem Fade-to-Black - 3F

eldoLED Driver Wiring

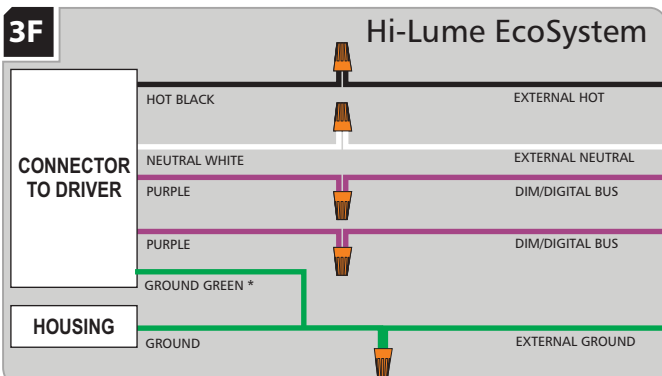
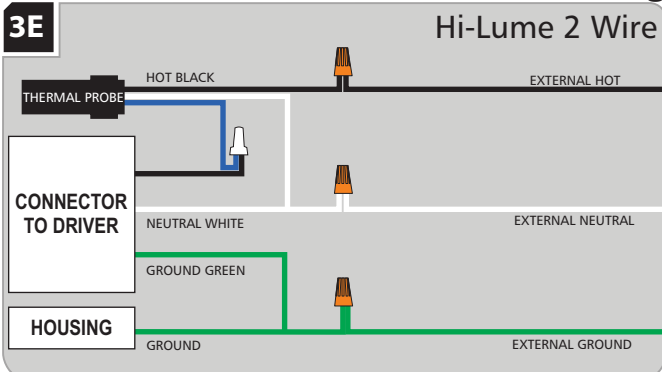
ECO/SOLO 0-10V - 3G
SOLO DALI- 3H

DUALDRIVE - 3I
DALI- 3J

Standard Driver Wiring

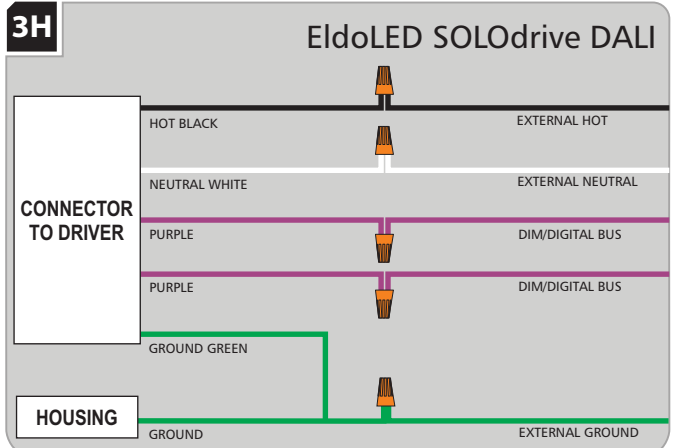
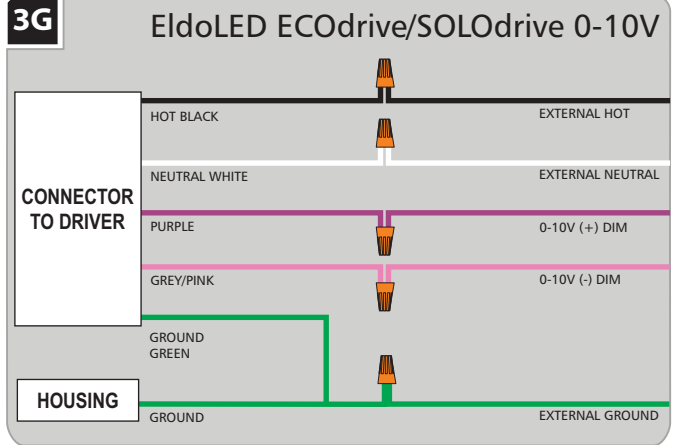


Hi-Lume Driver Wiring

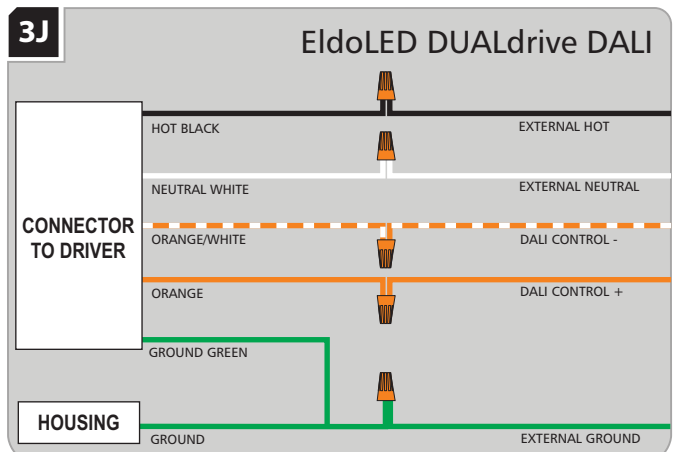
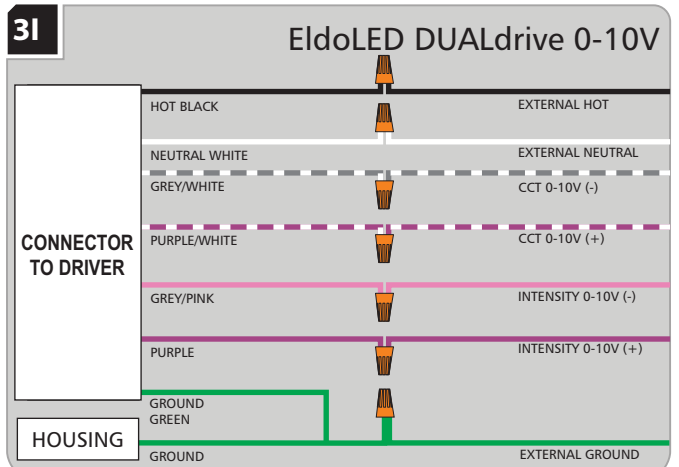


* If green/ground connection is available, wire to ground.

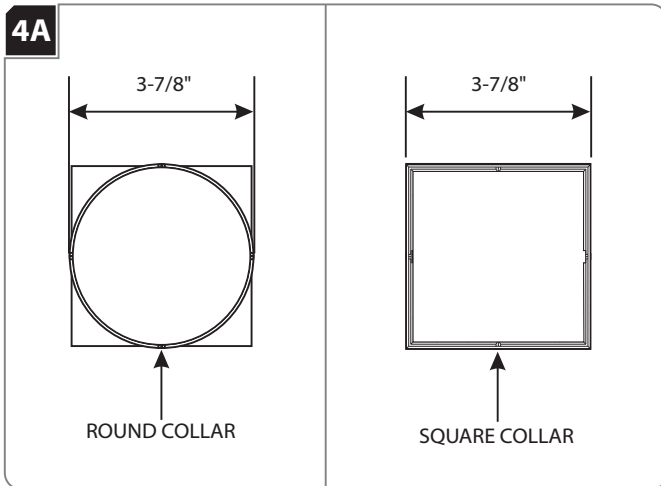
EldoLED Driver Wiring



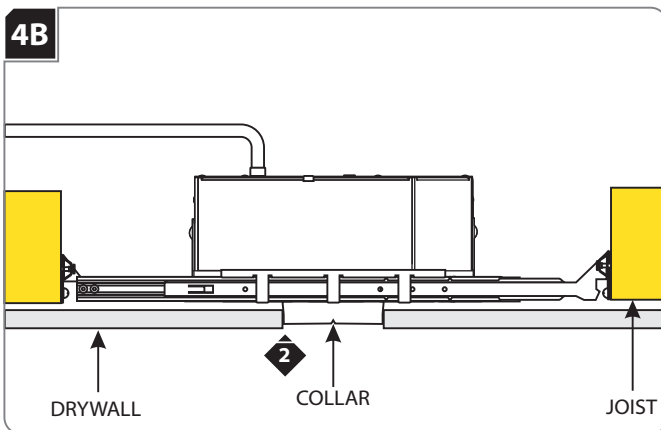
EldoLED Tunable White Wiring



Install Drywall



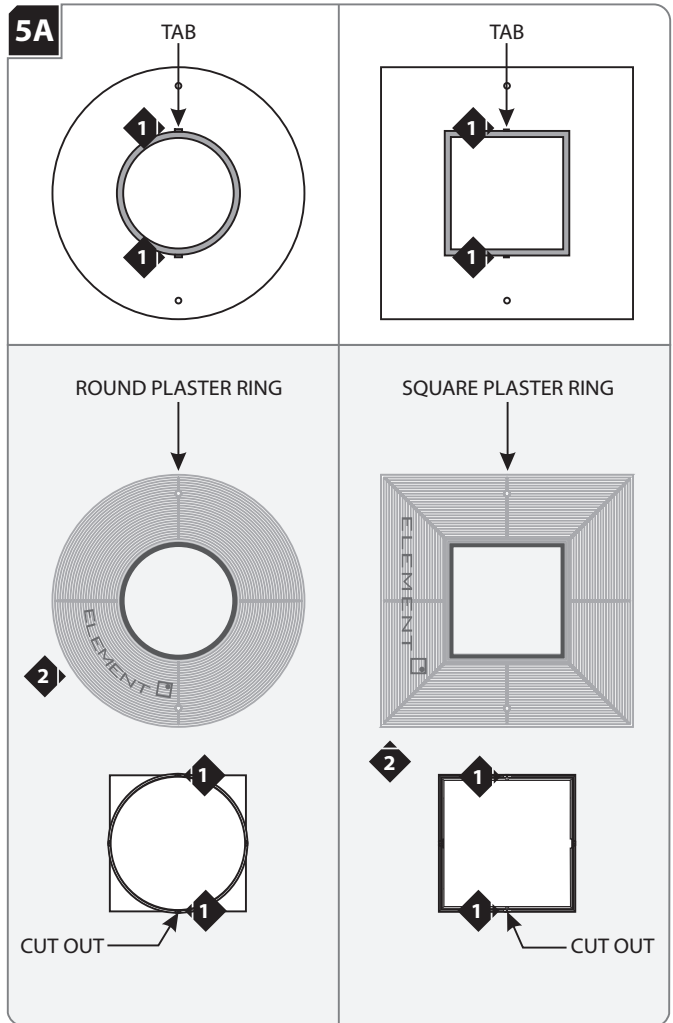
- 1** For round trims, mark a 3-7/8" diameter circle on drywall. Cut out the marked section.
 For square trims, mark a 3-7/8" square on drywall. Cut out the marked section.



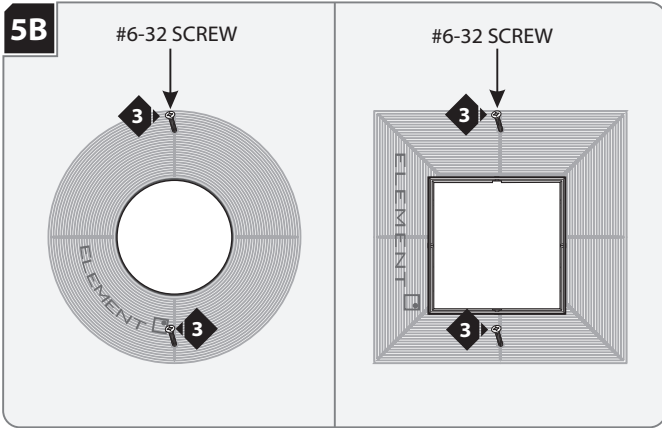
- 2** Align the cut out section of drywall with the collar and install drywall.

WARNING: Risk of Fire: The housing is not intended to be in contact with or covered with combustible materials and insulation. Do not install insulation within 3 inches of the housing sides or above in such a manner to entrap heat.

Install Plaster Ring (For Flangeless Versions)

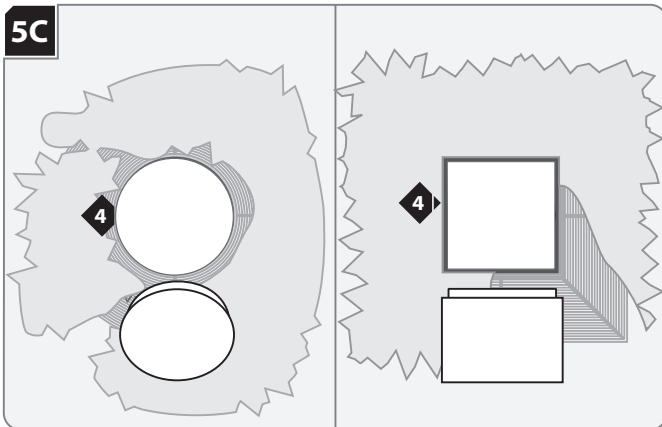


- 1** Line up the two tabs in back of the plaster ring with the two cut out sections of the collar's inside edge.
2 Push the plaster ring tabs into the cut out sections of the collar's edge.

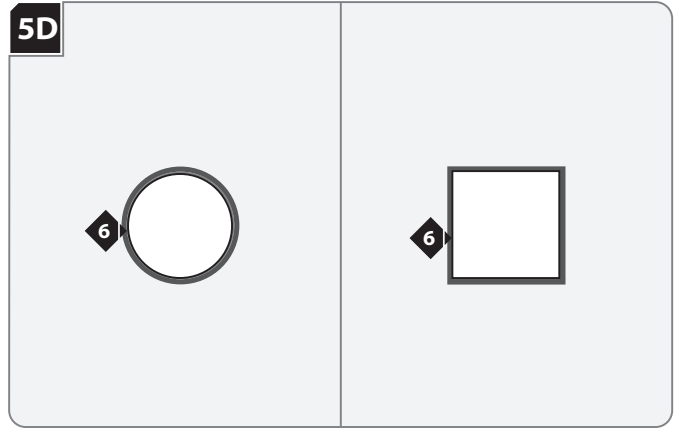


- 3 Secure the plaster ring in place with the two provided flat head #6-32 screws. Make sure that the screws penetrate through the drywall into the housing screw holes.

NOTE: Do not overtighten the screws! Overtightening may bend the plaster ring, causing the plaster surface to come away from the drywall.



- 4 Plug the collar with the provided dust shield.
- 5 Properly plaster onto the plaster ring and drywall.



- 6 Finish around the trim to match drywall.

